

Product availability: Non-Stock - Not normally stocked in distribution facility



Main

Range of Product	Modicon STB distributed I/O solution
Product or Component Type	BOS internal bus extension kit

Complementary

Kit composition	STBXBE1300 BOS module STBXTS2120, 2-terminal spring clamp connector STBXBA2300 size 2 base STBXTS1120, 2-terminal screw type connector
Mounting Location	Beginning of extension segment
Product Compatibility	Standard STB modules
[Us] rated supply voltage	24 V
Supply circuit type	DC
Supply voltage limits	19.2...30 V
Input Current	400 MA
Output voltage	5.25 V +/- 0.21 % logic bus
Output voltage type	DC
Power supply output current	1.2 A
Electrical connection	2 pins for removable connector power supply Firewire interface
Marking	CE
Overvoltage category	II

Environment

Electromagnetic compatibility	Immunity to electromagnetic interference IEC 61131-2
Product Certifications	FM Class 1 Division 2 UL CSA
Pollution degree	2 IEC 60664-1
Operating altitude	<= 6561.68 ft (2000 m)
IP degree of protection	IP20 conforming to EN 61131-2 class 1
Ambient Air Temperature for Storage	-40...185 °F (-40...85 °C)
Relative humidity	95 % 140 °F (60 °C) without condensation

Vibration resistance	3 gn 58...150 Hz 35 x 7.5 mm symmetrical DIN rail 5 gn 58...150 Hz 35 x 15 mm symmetrical DIN rail +/-0.35 mm 10...58 Hz
Shock resistance	30 gn 11 ms IEC 88 reference 2-27

Ordering and shipping details

Category	18215 - ADVANTYS STB I/O
Discount Schedule	PC32
GTIN	03595863949247
Nbr. of units in pkg.	1
Package weight(Lbs)	4.44 Oz (126 g)
Returnability	No
Country of origin	FR

Packing Units

Unit Type of Package 1	PCE
Package 1 Height	0.98 In (2.5 cm)
Package 1 width	3.15 In (8 cm)
Package 1 Length	5.12 In (13 cm)

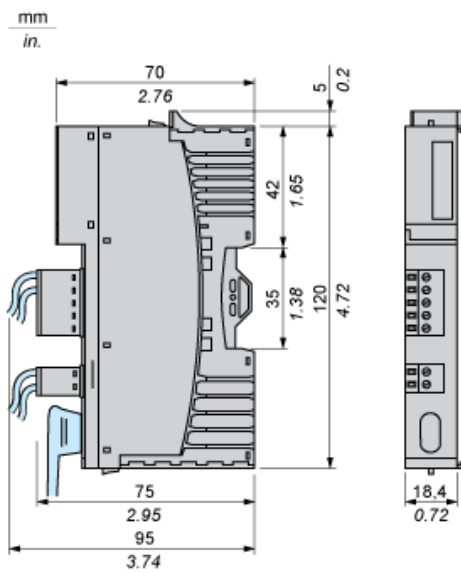
Offer Sustainability

Sustainable offer status	Green Premium product
California proposition 65	WARNING: This product can expose you to chemicals including: Lead and lead compounds, which is known to the State of California to cause cancer and birth defects or other reproductive harm. For more information go to www.P65Warnings.ca.gov
REACH Regulation	REACH Declaration
REACH free of SVHC	Yes
EU RoHS Directive	Pro-active compliance (Product out of EU RoHS legal scope) EU RoHS Declaration
China RoHS Regulation	China RoHS Declaration
Environmental Disclosure	Product Environmental Profile
Circularity Profile	End Of Life Information

Contractual warranty

Warranty	18 months
----------	-----------

Dimensions



Product Life Status : Commercialised